

# GENUINE FOG LAMP SET

## Using (Installation) Instructions

Applicable model : MAZDA 2

Part Number : DR61 V7 220

DP74 V7 220

Thank you very much for purchasing the Mazda Genuine Parts.

Before removal and installation, you are expected to carefully read these instructions.

To use it in its best conditions, be sure to read thoroughly these instructions for full understanding of the contents and to properly use it.

### < Cautions and Requests >

⚠ CAUTION and ⚠ WARNING marks shown in these instructions indicate safely precautions, which you are requested to strictly comply with during installation and use.

⚠ **WARNING** : Indicates a situation in which serious injury or death could result if the warning is ignored.

⚠ **CAUTION** : Indicates a situation in which bodily injury or damage to the vehicle could result in if the caution is ignored.

- Do not install the product in any way other than described in the following instructions.
- Do not modify the product.
- To ensure safety and reliability of the work, installation, removal and disposal work must be carried out by an authorized Mazda Dealership.
- If you have any questions about the use of the accessory, ask your Mazda dealer for proper advice before using it.
- We may not accept the liability for any problems that might have occurred due to incompliance with these instructions.
- Be careful not to lose removed parts, and be sure they are kept free from scratches, grease or other dirt.

#### To the dealer

Please turn over these instructions to the customer after installation.

#### To the customer

Keep these instructions after installation. The instructions may be necessary for installing other optional parts or removal of this accessory.

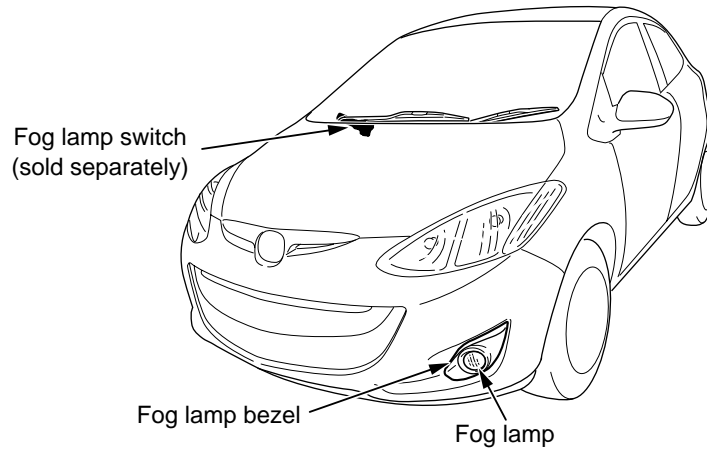
Should the vehicle or this accessory be resold, always leave these instructions with it for the next owner.

**Mazda Motor Corporation**

3-1, Shinchi, Fuchu-cho, Aki-gun Hiroshima

1

## AS-COMPLETED VIEW



2

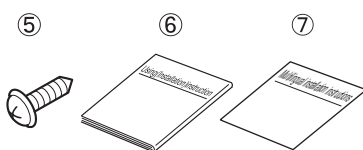
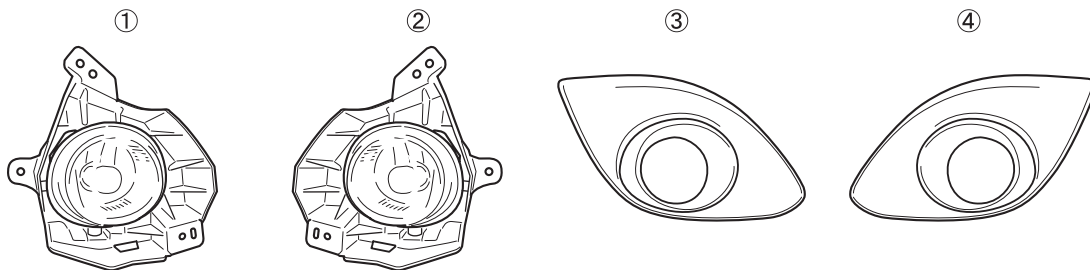
## COMPONENTS



### CAUTION

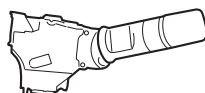
Make sure that there is no missing component based on the following parts list and check the components for any dirt, scratches or other damage.

No.	Part name	Q'ty	Part number
	Fog lamp ( RH )	1	DR61 51 680A
	Fog lamp ( LH )	1	DR61 51 690A
	Fog lamp bezel ( RH )	1	DR61 50 C10
	Fog lamp bezel ( LH )	1	DR61 50 C20
	Tapping screw	6	99865 0516
	Using (installation) instructions	1	_____
	Multilingual installation instructions (DP74 V7 220 only)	1	_____



<Sold separately>

● Fog lamp switch



<US spec>

DF96 66 122 (Vehicles w/o auto light)

<EU spec>

DF73 66 122 (Vehicles w/o auto light)

DF75 66 122 (Vehicles w/ auto light)

### 3

## PREPARATORY WORK BEFORE INSTALLATION

Tools used (Have them ready at hand before starting the work)

- ◆ Phillips screwdriver
- ◆ Fastener remover
- ◆ Socket wrench (10mm), torque wrench
- ◆ Soft cloth (clean one)
- ◆ Masking tape
- ◆ Wheel block

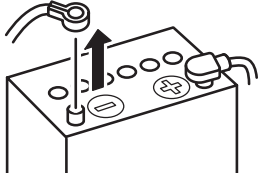

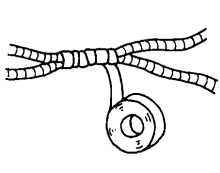
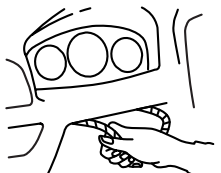


### WARNING

- Make sure that operation is carried out on the level ground with the parking brake and chock block securely set. Otherwise, vehicle may start to move or injury may result.

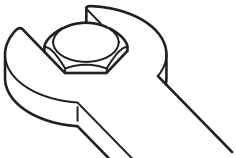
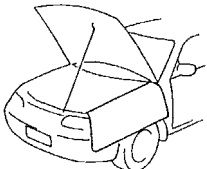
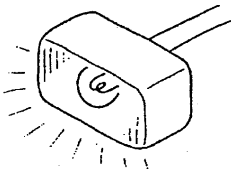
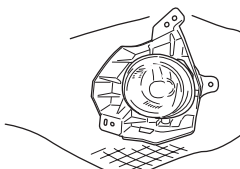


### WARNING

<p>Disconnect the negative terminal of the battery and keep the terminal away from the battery. Otherwise short circuit, and accidents, electric shocks or fire may occur.</p>	<p>Hold the connectors when disconnecting / connecting them to ensure the disconnection / connection. Otherwise, accident or fire caused by breaking or contact failure may occur.</p>	<p>Bind the harnesses together so that they do not move around loosely, otherwise the harnesses may break or short circuit, and accidents, electric shocks or fire may occur.</p>	<p>Avoid exercising excessive force when pulling a wiring harness. Otherwise, accident caused by breaking or short-circuit, electrification or fire may occur.</p>
			



### CAUTION

<p>Use right tools appropriate for the purpose and size of the work to be done to ensure proper execution of the work.</p>	<p>Use a mat or any other protective material when removing / installing components.</p>	<p>Check that the headlamp bulbs conform to the specified rating. If they are outside the specified rating, accidents may occur.</p>	<p>Place the removed parts and components on a protective sheet or equivalent to avoid any damage on such parts/components.</p>
			



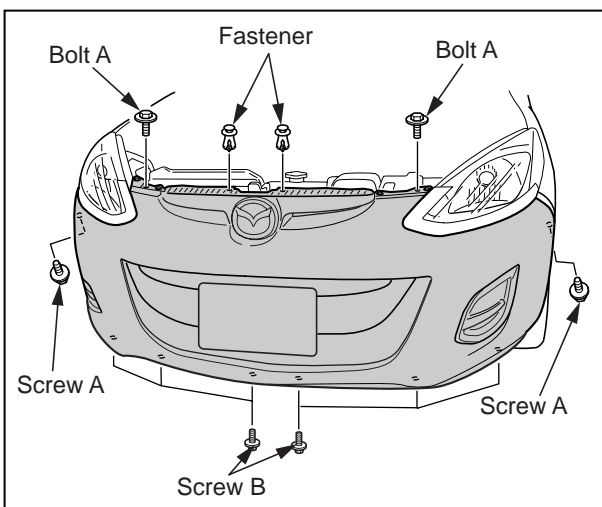
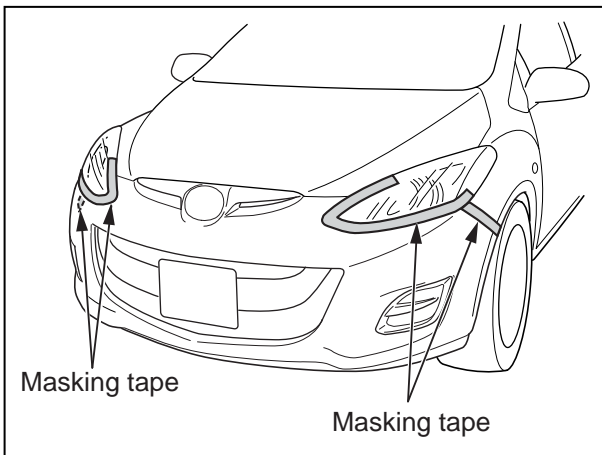
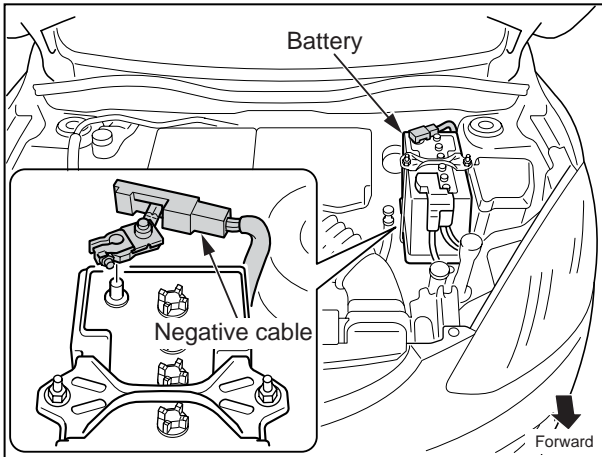
### CAUTION

- When the negative terminal of the battery gets disconnected, the memory of clock, radio and trip counter will be erased. Record the memory contents before starting the work.
- **When tightening a bolt, nut and screw, be sure to use torque wrench and tighten properly. Otherwise, improper connection, breakage or damage of the installed parts may occur.**

### NOTE

- As for the removal or installation of vehicle parts, please refer to the vehicle workshop manual.

## REMOVING THE VEHICLE COMPONENTS



### ⚠ CAUTION

- Since the removed components are to be reused when reassembling, keep them in a manner that will tell where to reinstall.
- Place the removed vehicle parts on a protective sheet to avoid any damage on the parts.

### Disconnecting the negative cable

1. Disconnect the negative cable of the battery following the instructions below.

Make sure that headlamp, air conditioner and other devices are switched off.

Disconnect the negative cable of the battery.

### ⚠ CAUTION

- When handling a battery, keep any source of fire away from it. Superheated gas from the battery may catch fire and may result in an explosion.

### Protecting the vehicle

1. Before removing the vehicle components, apply masking tape around the front combination lights to protect the components and vehicle.

### Removing the front bumper

1. Remove the screw A (one for each of the right and left) on both ends of the bumper.

#### Tightening torque

**Screw A : 1.0 ~ 1.5N · m (When restored)**

2. Remove the screw B (three for each of the right and left) at the bottom of the bumper.

#### Tightening torque

**Screw B : 1.0 ~ 1.5N · m (When restored)**

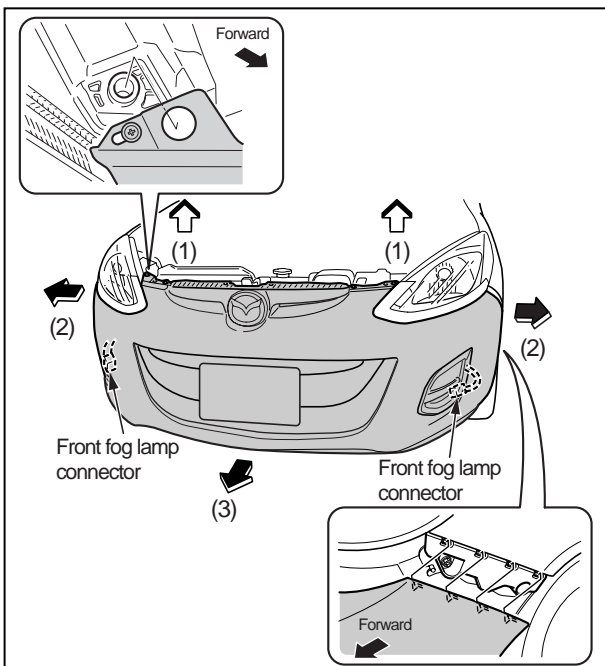
3. Remove the bolt A (one for each of the right and left) and the fastener (one for each of the right and left) on the upper edge of the bumper.

#### Tightening torque

**Bolt A : 6.9 ~ 9.8N · m (When restored)**

### ⚠ CAUTION

- Be careful not to lose the removed bolts, screws and fasteners since they are to be reinstalled later.



4. Remove the front bumper from the vehicle by lifting it in the direction of the arrow (1).
5. Pull the front bumper in the direction of the arrow (2) to disconnect it from the tabs retaining the bumper (four for each of the right and left).



### CAUTION

- Be careful not to drop the bumper when disconnecting it.

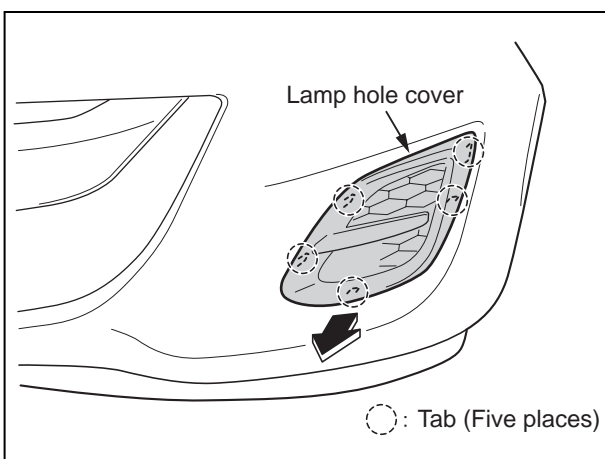
6. Remove the front bumper by pulling it in the direction of the arrow (3).



### CAUTION

- Avoid pulling the front bumper hard. Front fog lamp harness is connected to it.

7. Disconnect the front fog lamp connector.

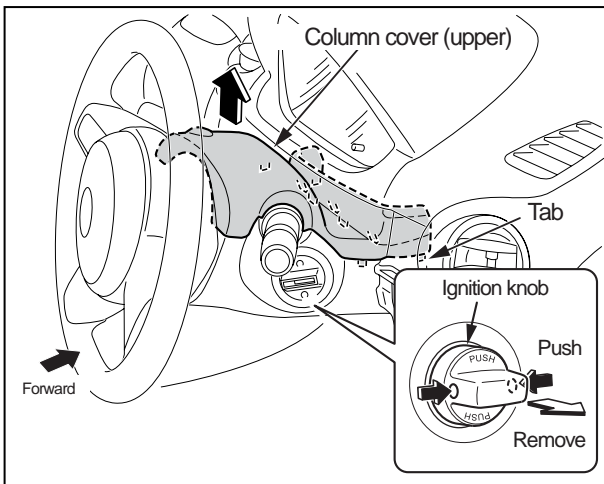


### Removing the lamp hole covers (RH & LH)

1. Disconnect the tab (five places) of the lamp hole cover in order to remove the lamp hole cover from the front bumper in the direction of the arrow.
2. Perform the same procedure on the opposite side.

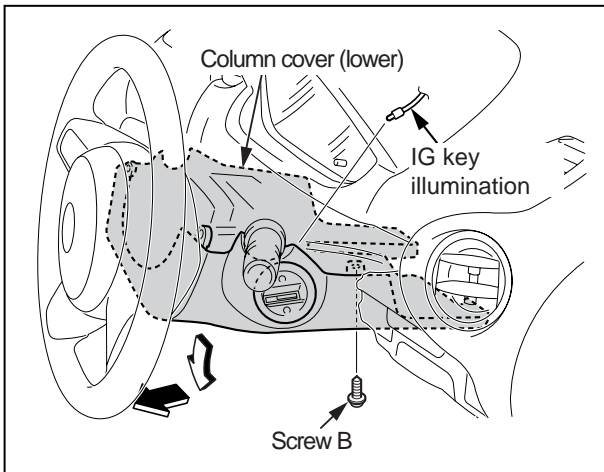
### NOTE

- The removed lamp hole covers are not necessary for the product.

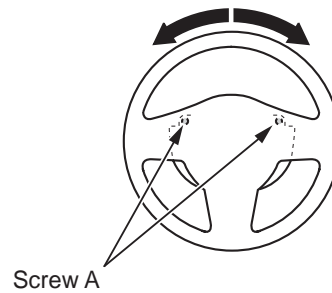


### Removing the column covers (upper & lower)

1. Push the buttons on both sides of the ignition knob to remove the knob.  
(Vehicles with advanced key less system only)
2. Pull down the tilt lever and pull up the column cover (upper) to disconnect the column cover (upper) from the column cover (lower).



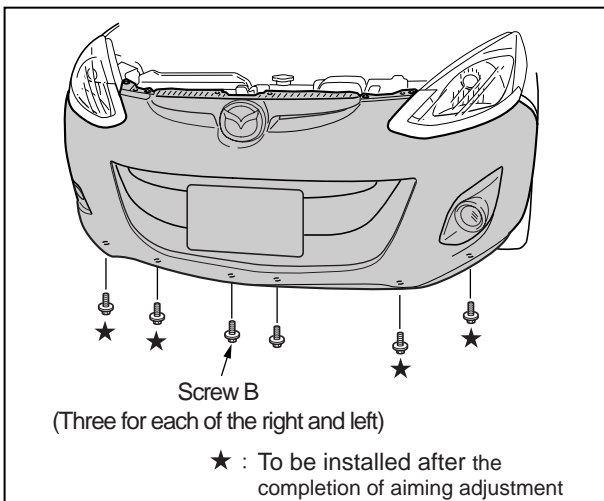
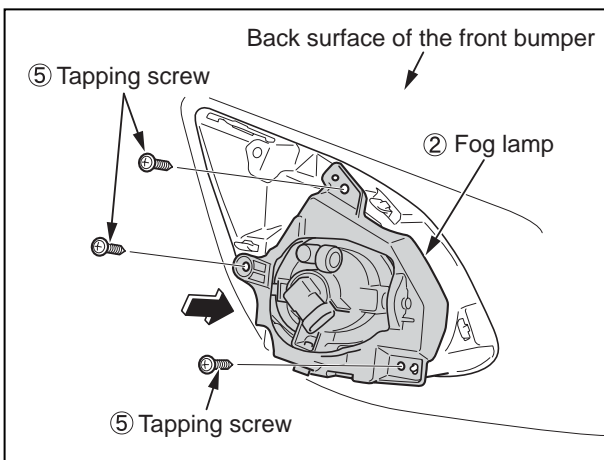
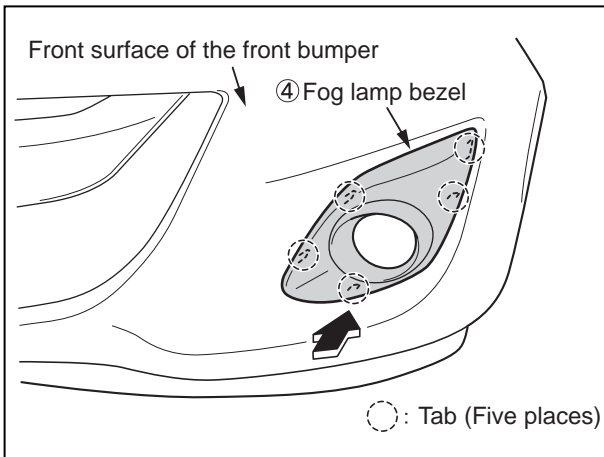
3. Insert the key and release the steering lock.
4. Turn the steering wheel 90 degrees from the center and remove the screw A.



5. Remove the IG key illumination.  
(Vehicles without advanced key less system only)
6. Remove the screw B (one place) and lift the tilt lever to remove the column cover (lower).

# 5

## INSTALLING THE FOG LAMPS



### Installing the fog lamps

1. Install the fog lamp bezel by inserting its tabs (five places) into the front bumper.

2. Secure the fog lamp with the tapping screw (three places).

#### Tightening torque

Tapping screw : 0.3 ~ 1.5N · m



#### CAUTION

- If you fasten with those torques other than specified, the fog lamp might be broken or fallen off. Be careful to fasten accurately.

3. Perform the same procedure on the opposite side.

### Reinstalling the front bumper

1. Connect the connector of the fog lamp harness to the fog lamp.



#### CAUTION

- When connecting the harnesses, insert the connectors firmly until they lock securely into place.

2. Reinstall the front bumper in the reverse order of removing it (see the page 4 to 5).



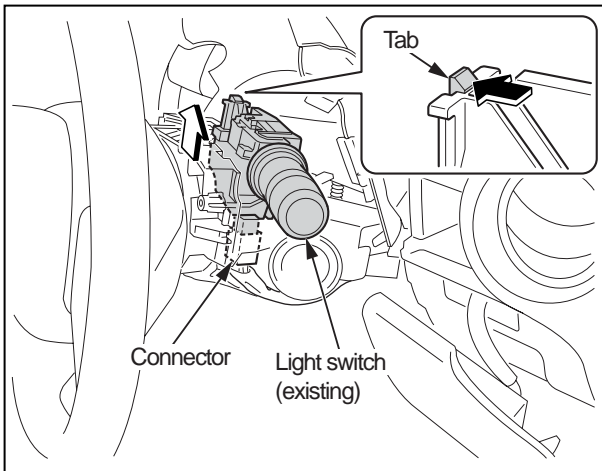
#### CAUTION

- Outer two of the three screws B (for both sides) should be installed after the completion of aiming adjustment.
- If you fasten with those torques other than specified, the fog lamp might be broken or fallen off. Be careful to fasten accurately.

## 6

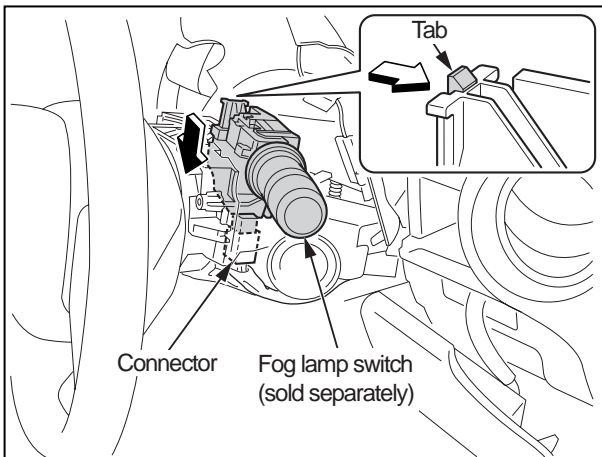
# INSTALLING THE FOG LAMP SWITCH

( Fog lamp switch is sold separately)



### Removing the existing light lever

1. Disconnect the connector at the bottom of the light switch.
2. Disconnect the tab at the edge of the light switch by pushing it outside and then remove the light switch by lifting it up.



### Installing the fog lamp switch (sold separately)

1. Install the fog lamp switch (sold separately) in the reverse order of "Removing the existing light lever".
2. Check if the tab at edge of the fog lamp switch is fixed securely.
3. Carry out an operation check.  
(Refer to "7. CHECKING OPERATION".)

### Installing the column covers

1. Reinstalling the column covers (upper/lower) in the reverse order of removing them (see the page 6).



# 7

## CHECKING OPERATION



### WARNING

- Clear area of all individuals around the vehicle or inside the vehicle. Serious accident may occur if the vehicle makes sudden movements.
- Do not start the engine in the place with bad ventilation such as garage. Exhaust gas can cause intoxication and suffocation.

- Disconnect the negative terminal of the battery.



### CAUTION

- If the battery connection is broken, the power windows will no longer fully open or fully close automatically. Carry out the following operation to restore normal operation.
  1. Set the ignition key to the "ON" position.
  2. Press the power window switch to fully open the power windows.
  3. Lift up the power window switch to fully close the power windows, and keep it pulled up for approximately 2 seconds.
  4. Confirm if the window fully opens and fully closes automatically.  
Position the ignition key at OFF and then ON again. If the window doesn't work correctly, please contact Mazda dealer.

- Perform the operation check by following the procedures stated below.

#### < Operation check procedures >

1. The small lights should illuminate when the small light switch is turned on.
2. The headlamps should illuminate when the headlamp switch is turned on.
3. High beam and low beam can illuminate.
4. The turn signal indicators (left and right) should flash when the turn signal switch is turned on.
5. The fog lamps should illuminate when the small light switch or the headlamp switch is turned on and the fog lamp switch is turned on.
6. The fog lamps should switch off when the fog lamp switch is turned off or the small light switch is turned off.

#### < Places to check if operation is incorrect >

NO



- Check that none of the harnesses are clamped
- Check that all connectors are connected correctly.

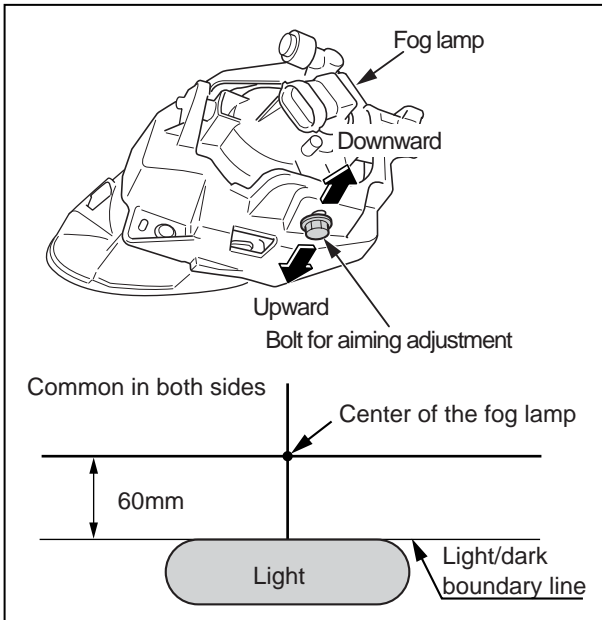
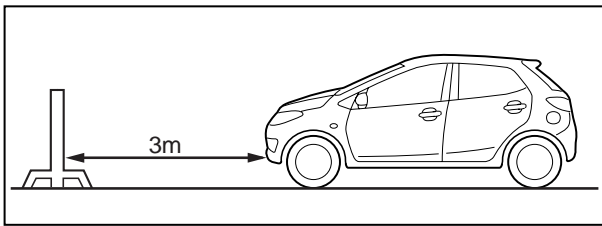


YES

**If operation is normal, this completes the procedure.**

## 8

### FOG LAMP AIMING ADJUSTMENT



1. Inflate the tires to the standard pressure.
2. Empty the vehicle and park it on a level surface.
3. Have one person sit in the driver's seat.
4. Place a screen perpendicularly in front of the vehicle so that there is a distance of 3 meters between the screen and the fog lamps.
5. Cover the fog lamp that is not being adjusted with using a partition or equivalent.
6. Turn on the fog lamps.
7. Turn the under cover.
8. Measure the center of the fog lamp and loosen the aiming adjustment bolt. Then adjust the position of the fog lamp so that it is within the light/dark boundary line as shown in the diagram.

#### Tightening torque

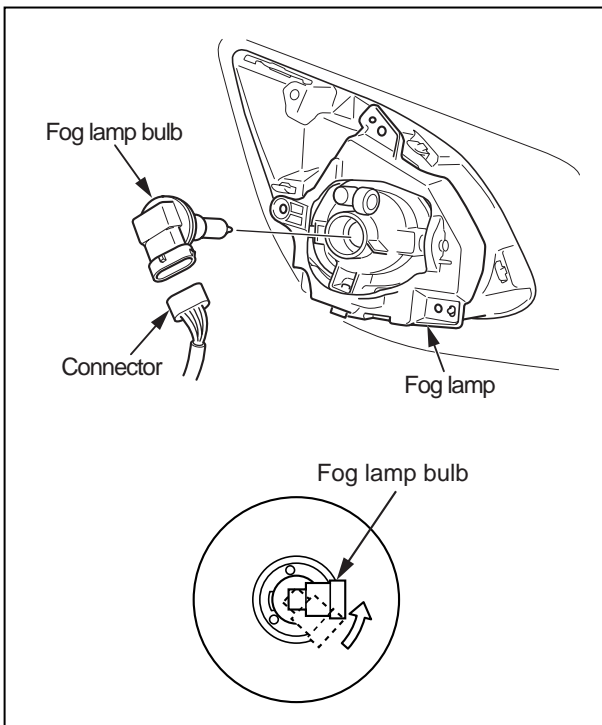
**Bolt (for aiming adjustment) : 2.2 ~ 2.8N · m**

#### CAUTION

- Because any looseness in the adjustment bolt can result in the aiming becoming misaligned, be sure to turn the bolt in the direction of tightening when adjusting.
- If you fasten with those torques other than specified, the fog lamp might be broken or fallen off. Be careful to fasten accurately.

## 9

### FOG LAMP BULB REPLACEMENT



#### WARNING

- Always be sure to use the properly-specified bulb. If an incorrect bulb is used, it may result in fire.

#### CAUTION

- Replacement of the bulbs should be carried out by a properly-qualified technician.
- Use the following bulbs as replacement fog lamp bulbs. **Part No.: 90703 7550 [ H11 12V 55W ]**
- When replacing a light bulb, avoid touching the glass surface of the light bulb. Otherwise, bulb life may be decreased.

1. Disconnect the negative terminal of the battery.
2. Remove the screw B (outer two of the three for both sides) at the bottom of the front bumper. (See the figure for the item 5 -2 in the page 7)
3. Turn the under cover.
4. Disconnect the connector from the fog lamp.
5. Turn the fog lamp bulb in the direction of the arrow and remove it.
6. Install a new fog lamp bulb in the reverse order of removing it.
7. Connect the connector to the fog lamp.

# Installation inspection sheet

【 To be used by installation workshop 】

MAZDA 2	FOG LAMP SET
	DR61 V7 220 DP74 V7 220

## A. Reinstalling the vehicle components

- Install in the reverse order of “4. REMOVING THE VEHICLE COMPONENTS”.

 **CAUTION**

- After installing the vehicle parts, check for dirt.
- Clean any dirty parts.

CHECK

## B. Inspection items after installation

- Inspect the installed parts and removed and re-installed parts following the items below.

Sections to be checked	Inspection item (circle)					
	Gap / fit & finish	Scratch, stain, harness interference	Tightening & engagement	Function	Aiming adjustment	Operation check
Fog lamp (RH/LH)						
Fog lamp switch (sold separately)						
Fog lamp indicator						
Front bumper						
Column cover						
Fog lamp bezel (RH/LH)						
Battery						
Power window						

## C. Priority check points

No.	Item	CHECK
1	Check if the fog lamps work properly.	
2	Check if the bolt / screw used to tighten the following part are tightened correctly. • Battery terminal	

### 【 Important points 】

Operation No.	Part name	Specified torque	Torque value at the time of check	Inspector (name)
5 -2 (page 7)	Tapping screw	0.3 ~ 1.5 N·m	N·m	

### Fog lamp set installation inspection sheet

Date (year/month/day):					
VIN No.					
Approved		Checked		Prepared	

Retention period of the sheet:12 months